

G5830 Cabinet Lock

Features

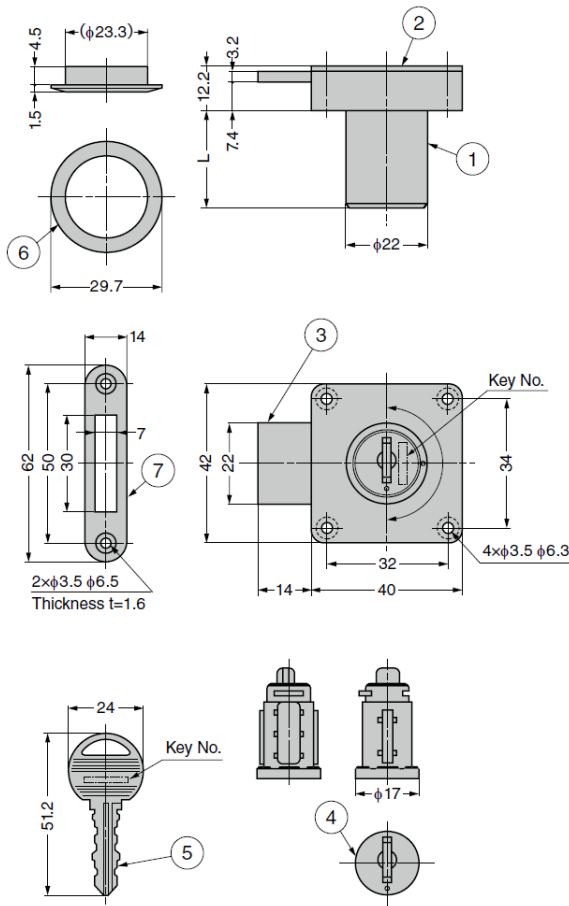
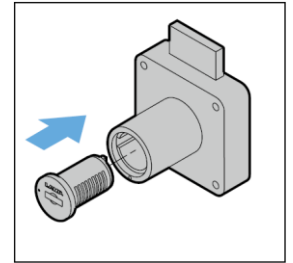
- Interchangeable cylinder lock series with master key system
- Easy to replace the cylinder by using the change key **GMD-K1**
- Reversible key can be removed when locked and unlocked (180° rotation)
- Max. 3,120 key changes available (max. 780 key changes per master key)
- Longer dead bolt stroke
- Gold finish for cylinder ring and cylinder case available on request (made-to-order)

Notes

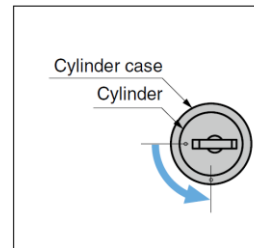
- To remove the cylinder, change key **G5830-K1** (sold separately) is required
- Replaceable cylinder is made-to-order

Parts Included

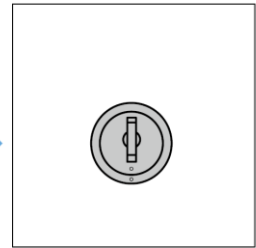
- Countersunk head wood screw 2.7×13, 3.1×22 mm (SUS)



How to Remove



Insert the Change Key and turn the cylinder 90° counter clockwise.



Place two dots in the same position and remove the cylinder.

| No. | Part Name | Material | Finish |
|-----|------------------|------------------|--------------|
| ① | Body | Zinc Alloy (ZDC) | Satin Nickel |
| ② | Case Cover | Steel (SPCC) | Nickel |
| ③ | Dead Bolt | | |
| ④ | Cylinder (Inner) | Zinc Alloy (ZDC) | Satin Nickel |
| ⑤ | Key | Brass | Nickel |
| ⑥ | Ring | | Satin Nickel |
| ⑦ | Strike | Steel (SPCC) | Nickel |

Sold Separately

| Part No. | Key Type |
|-------------------|------------------|
| Master Key | G5830-MK1 |
| Change Key | G5830-K1 |
| Spacer | G5830-SP |

Body

| Part No. | Key Type | Cylinder Diameter | Door Thickness L |
|---------------------|-------------------|-------------------|------------------|
| G5830-24MK-B | Keyed Differently | 22 | 24 |
| G5830-24MK-D | Keyed Alike | | |
| G5830-30MK-B | Keyed Differently | | 30 |
| G5830-30MK-D | Keyed Alike | | |